

OLYMPUS[®]

Your Vision, Our Future

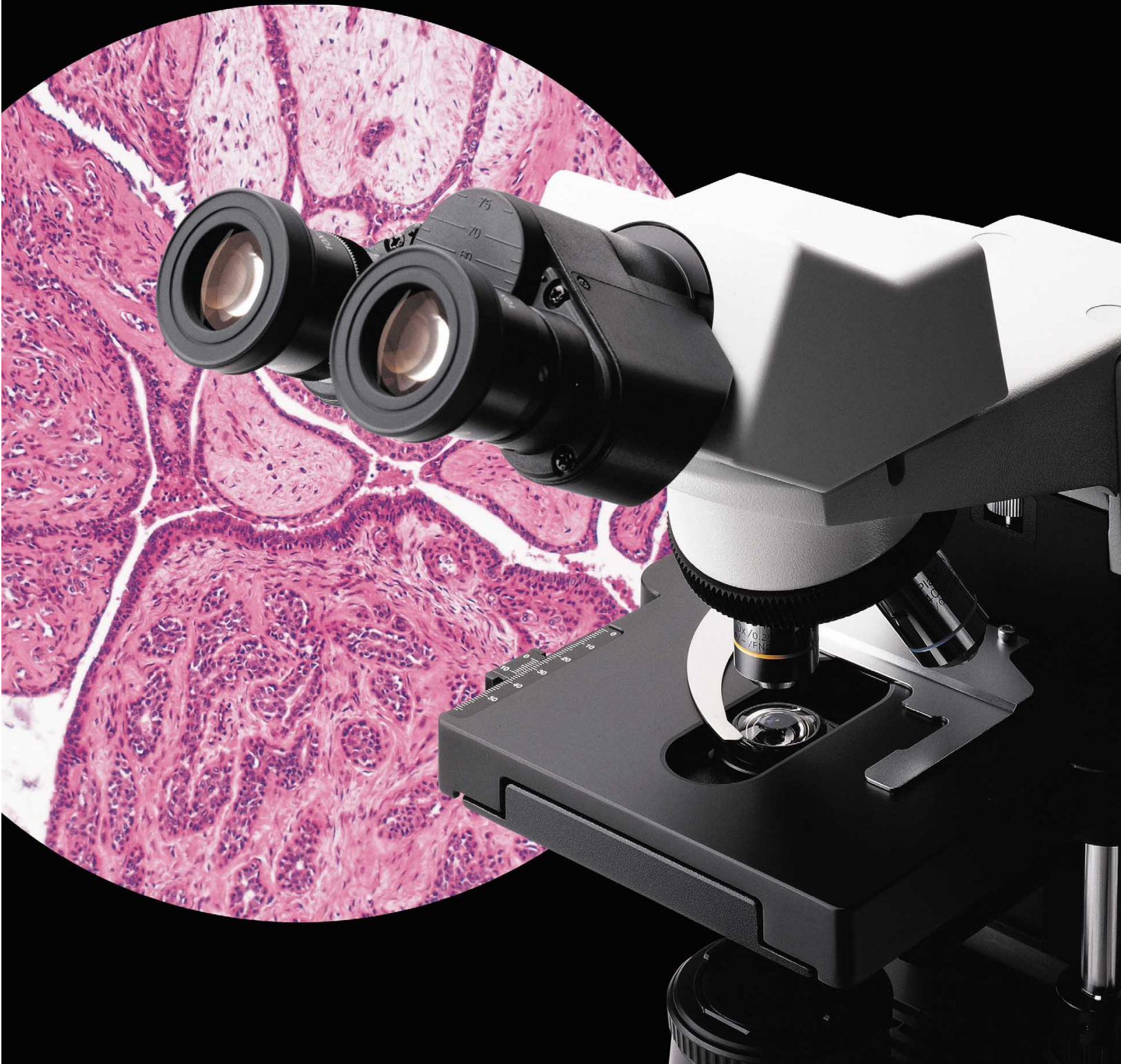
BIOLOGICAL MICROSCOPE

CX31

CX2 SERIES

UIS2
World-leading optics

New standards of sharpness, clarity and flatness

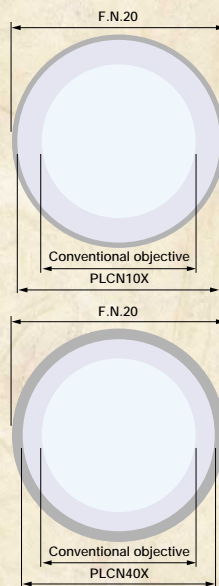


Advanced optical performance with

Incorporating new UIS2 infinity optics, the Olympus CX31 microscope inherits the outstanding worldwide reputation gained by its CX2 predecessor in different medical and educational fields. As well as advanced optical performance, the CX31 offers improved ease of use and excellent cost-efficiency.

Outstanding flat images from PLCN objectives

The PLCN series of UIS2 objectives improves flatness dramatically, producing sharp, clear images right up to the edge of the field of view. Ideal for the 10x and 40x objectives so frequently used for inspection work, the flatness ranks among the very best in this class of microscopes.



Flatness area comparison

Bright, even observation images

The illumination system employs a high intensity 6V, 30W halogen lamp for bright images. The aperture iris diaphragm with built-in condenser and standard field stop provides bright and even illumination at all levels of magnification.

Rigid, durable construction for high performance and long service life

Construction quality is excellent throughout, with objectives, eyepiece, observation tube, revolving nosepiece, highly reliable rackless stage and other components all fixed firmly to the body — so there's nothing to come loose or fall off when the microscope is being transported. The highly regarded rackless stage is employed, and since the X-axis guide does not protrude, both transportation and operation are performed easily and safely.

Anti-fungus treatment

The treatment applied to the observation tubes, eyepieces and objectives, protects quality of optical parts even in high humidity regions.



h excellent cost-efficiency.

UIS2 eyepiece

Provides wide field of view (F.N. 20) and allows easy observation with eyeglasses.

Binocular observation tube

Diopter adjustment is performed via the knurled collar on the left eyetube. Wide interpupillary distance adjustment (48-75mm) ensures the best and most comfortable observation conditions for every user.

Quadruple inward-facing revolving nosepiece

Complies with a wide range of magnifications, allows unrestricted use of the space in front of the objectives and makes it easy to confirm observation magnifications.

Coarse upper limit stopper

Locks the upper position of the stage, preventing contact between the objective and the specimen in high magnification observations.

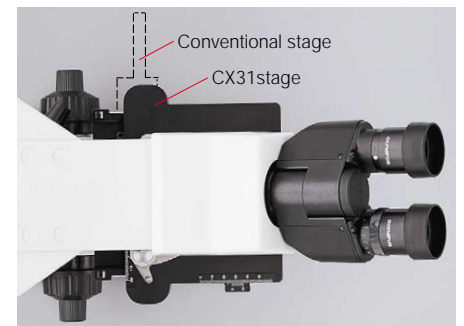
UIS2 objectives

4X, 10X, 40X and 100X PLCN objectives, providing world-class image flatness.



Rackless stage

Rack-free stage with no side protrusions. Low-positioned control knob allows smooth and comfortable specimen movement. Scale gradations are in white lettering on a black background.



Light intensity adjustment

Continuous light adjustment is possible.

Abbe condenser

An Abbe condenser, with N.A. 1.25 and built-in aperture diaphragm, provides the appropriate diaphragm setting to suit different specimens and magnifications.

Field stop

Frame integrated, with ability to accept a $\varnothing 45\text{mm}$ filter.

Coaxial coarse/fine focusing knob

The coaxial coarse/fine focusing knob allows each operator to adjust the torque for coarse focusing operations. Focusing is smooth and easy, with the user's hands placed on the desk.

Stage handle with tactile grips

Tactile grips are fitted to the X and Y stage controls to provide a "light touch" stage movement.

Highly rigid frame

Extra rigid frame withstands frequent use and repositioning.

Hand grips for easy portability

Convenient hand grips at the front and back of the frame make it easy to carry the microscope.

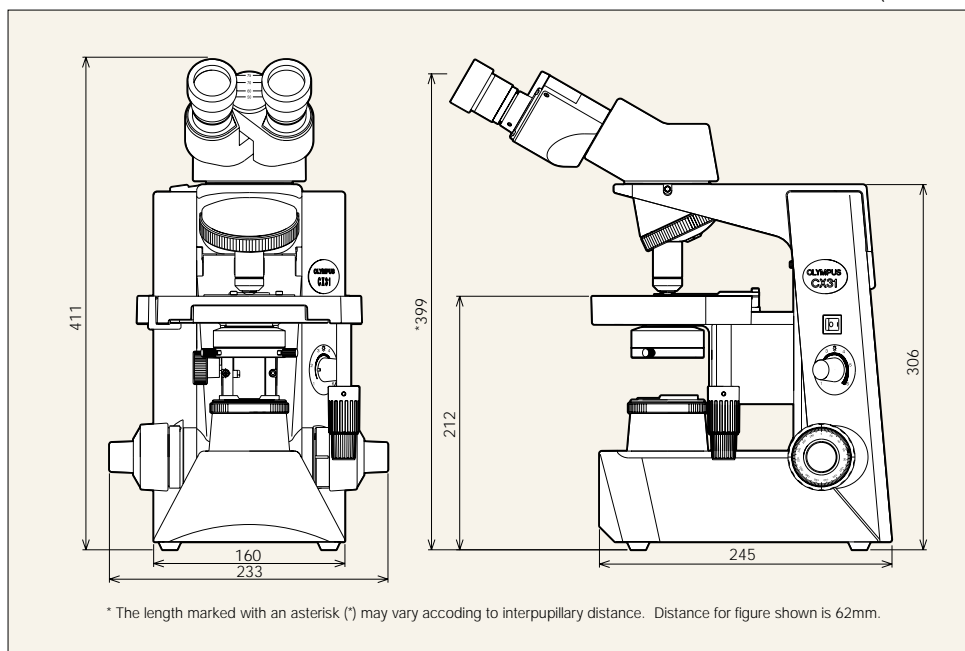


Specifications

Item	CX31	
Optical system	UIS2 (Universal Infinity-corrected) optical system	
Illumination	Built-in transmitted Koehler illuminator 6V30W halogen bulb 100-120V/220-240V~ 0.85/0.45A 50/60Hz	
Focusing	<ul style="list-style-type: none"> • Stage height movement by roller guide (rack & pinion) • Stroke per rotation: 36.8mm • Full stroke range: 25mm • Upper limit stopped by simplified pre-focusing dial • Tension adjustment on coarse focus adjustment knob 	
Revolving nosepiece	Fixed quadruple nosepiece with inward tilt	
Binocular observation tube	Field number	20
	Tube inclination	30°
	Interpupillary distance adjustment range	48—75mm
Stage	Size	188(W) X 134(D)mm
	Movement range	76mm X-direction X 50mm Y-direction
	Specimen holder	Double slide holder
	Rubber grip	Equipped as standard
Condenser	Type	Abbe condenser, with built-in daylight filter
	N.A.	1.25 with oil immersion
	Aperture iris diaphragm	Built-in
Dimensions & weight	233(W) X 411(H) X 367.5(D)mm, approximately 8kg (approximately 17.6 lb.)	

Dimensions

(Unit: mm)



Objectives, Plan Achromat

PLCN	Numerical Aperture (N.A.)	Working Distance (W.D.)
4X	0.10	18.5mm
10X	0.25	10.6mm
40X	0.65	0.6mm
100XO	1.25	0.13mm

Eyepiece

	Field Number (F.N.)
10X	20

CX31 is the environmental conscious product according to OLYMPUS's own standards.

Main features of OLYMPUS Eco-products are as follows.

- Lead-free and arsenic-free Eco-glass for optics, such as lenses and prisms.
- Exclusion of hexavalent chrome, mercury, lead and cadmium from metal materials and surface treatment of metal.
- Exclusion of lead solders.
- Adoption of cardboard for packing materials without styrene foam for promoting the recycling.
- * A definition of exclusion depends on olympus standard. Some accessories are inapplicable

Please visit our web site for further information:
<http://www.olympus.co.jp/en/eco-products/>



ISO9001 Certification
OLYMPUS CORPORATION Micro-Imaging System Division



ISO14001 Certification
OLYMPUS CORPORATION Ina-Plant



ISO9001/ISO14001 Certification
Olympus Optical Technology Philippines Inc.

OLYMPUS CORPORATION obtains ISO9001/ISO14001

Specifications are subject to change without any obligation on the part of the manufacturer.

OLYMPUS

OLYMPUS CORPORATION
Shinjuku Monolith, 3-1, Nishi Shinjuku 2-chome, Shinjuku-ku, Tokyo, Japan
OLYMPUS LIFE AND MATERIAL SCIENCE EUROPA GMBH
Postfach 10 49 08, 20034, Hamburg, Germany
OLYMPUS AMERICA INC.
3500 Corporate Parkway, Center Valley, Pennsylvania 18034-0610, U.S.A.
OLYMPUS SINGAPORE PTE LTD.
491B River Valley Road, #12-01/04 Valley Point Office Tower, Singapore 248373
OLYMPUS AUSTRALIA PTY. LTD.
31 Gilby Road, Mt. Waverley, VIC 3149, Melbourne, Australia.

OLYMPUS LATIN AMERICA, INC.
5301 Blue Lagoon Drive, Suite 290 Miami, FL 33126, U.S.A.
OLYMPUS (BEIJING) SALES & SERVICE CO., LTD.
12-13F, NCI Tower, A12 Jianguomenwai Avenue, Chaoyang District, Beijing, 100022, China



This catalog is printed by environmentally-friendly waterless printing system with soy ink.

www.olympus.com

Printed in Japan M184E-0706B