

OLYMPUS[®]

Your Vision, Our Future

Stereomicroscope Lineup

SZX16/SZX10/SZX7/SZ61/SZ51

For Biological Use

S Z X 1 6 / S Z X 1 0



S Z X 7



S Z 6 1 / S Z 5 1

Olympus stereomicroscopes deliver excellent images needed for cutting-edge research.

Olympus presents two stereomicroscopes that are models of efficiency offering excellent optical performance. Integrated with the Galilean optical system, the SZX16/SZX10/SZX7 series has a wide zoom range for distinct clarity and high-resolution imaging. The Greenough optical system has been designed into the SZ61/SZ51 series with a compact body for user-friendly operation throughout the zoom range. All models deliver outstanding image data that are a distinct advantage for a wide range of biological applications and specimens of any type or size.

Stereomicroscope Lineup

Galilean optical system

SZX16 Series



High precision stereomicroscope: Optimum viewing and ease of use

- New SDF objectives with a high NA and 900 lp/mm* resolution as well as superb 1:16.4 zoom function
- Astigmatism-free design for sharper-than-ever 3D observation
- Ergonomic design for natural posture plus reduced stress and fatigue during long-time observation

*900 lp/mm is achieved when the SDFPLAPO2XPFC lens is used.

- 16.4**
Zoom ratio
- 900**
Lines/mm
-
-
-
-
-
-

Galilean optical system

SZX10 Series



Highly versatile basic model reproduces true-to-life images of samples

- Optimal performance in routine tasks like selection or dissection with 1:10 zoom ratio
- Easy-to-use, fatigue-free design, as seen in the SZX16
- Broad selection of accessories to enhance research capability

- 10.0**
Zoom ratio
- 600**
Lines/mm
-
-
-
-
-

■ Illumination suited to various samples

Choose from a lineup of expandable illuminators that can be integrated into stereomicroscope systems. Olympus stereomicroscopes create optimal illuminating environment for optimum results in brightness, contrast, and color.



High-level transmitted light illumination base
SZX2-ILLB
Brightfield/darkfield transmitted light illumination base
SZX2-ILLD
Transmitted light illumination base
SZX2-ILLK



Slim LED transmitted light illumination base
SZX2-ILLT



Dual inter-lock light guide
LG-DI



Coaxial illuminator
SZX2-ILLC16/SZX2-ILLC10

Versatile Inspection

Optics Performance Specifications

	Zoom ratio	Zoom magnification	Total magnification*	Resolution	Long WD
SZX16	16.4	0.7x~11.5x	2.1x~690x	★★★★★	★★★
SZX 10	10.0	0.63x~6.3x	3.15x~378x	★★★★	★★★★
SZX 7	7.0	0.8x~5.6x	4.0x~336x	★★★★	★★★★
SZ 61	6.7	0.67x~4.5x	1.68x~270x	★★★	★★★★★
SZ 51	5.0	0.8x~4.0x	2.0x~240x	★★★	★★★★★

*From the combined use of objectives and eyepieces.

Galilean optical system

SZX7 Series



Cost-efficient model with Galilean optical system

- Compact model expandable for high-resolution observation
- Trinocular tubes compatible with digital camera are available



Greenough optical system

SZ61/SZ51 Series



All functions needed for routine work, all in one compact body

- Greenough optical system for maximum performance
- Slim and compact body for enhanced efficiency
- Well-suited to routine work alone or in combination with other devices, including digital cameras and TV cameras

SZ61



SZ51



contrast, and spotlighting, depending on various manipulations and samples.



Transmitted illumination attachment
SZ2-ILA



LED illumination stand
SZ2-ILST



Six-point ring light guide
SZX-LGR66 + SZ2-CLGR + SZ2-CLS

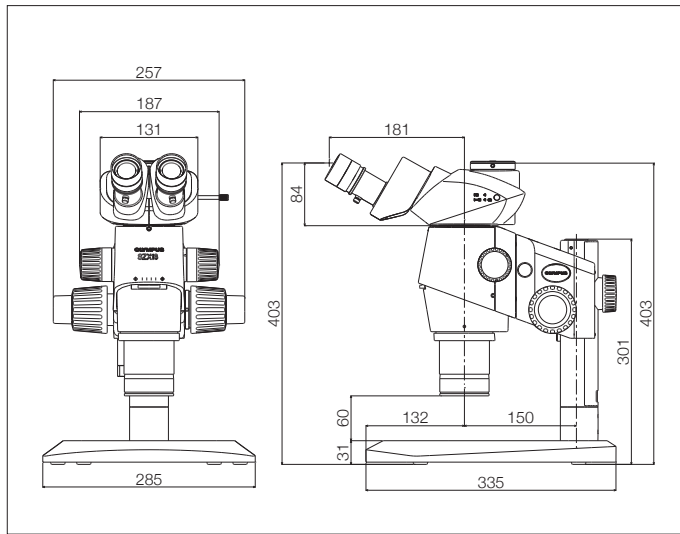


Dual interlock light guide
SZ2-CLGDI + SZ2-CLS

Please refer to other product catalogs for more details on illuminators.

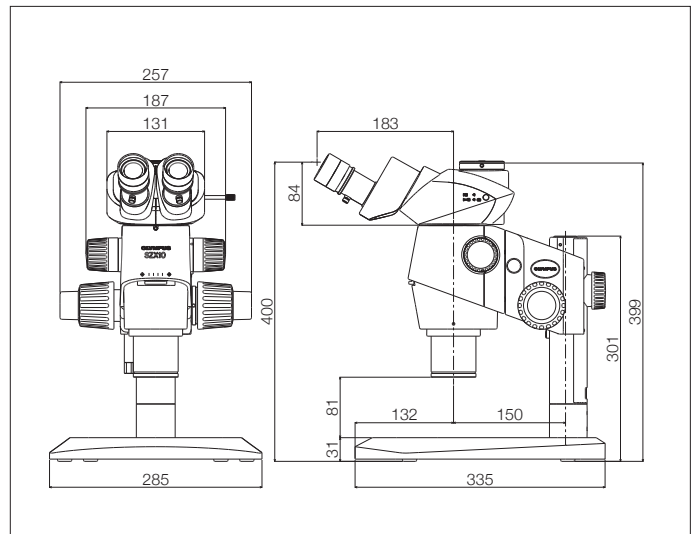
SZX16 standard set dimensions

(unit: mm)



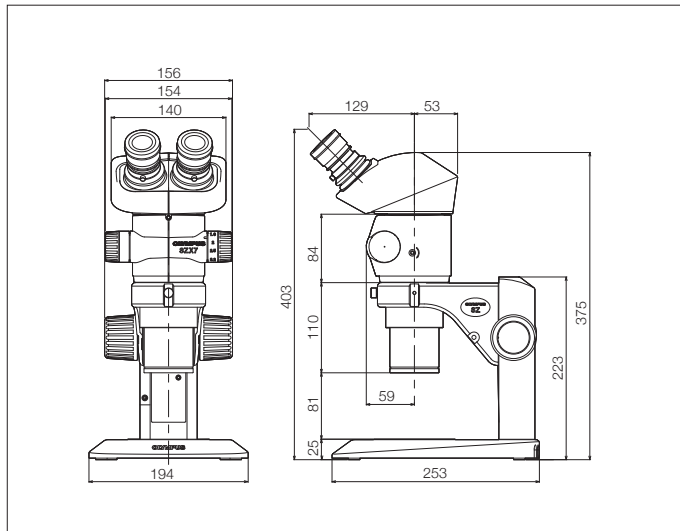
SZX10 standard set dimensions

(unit: mm)



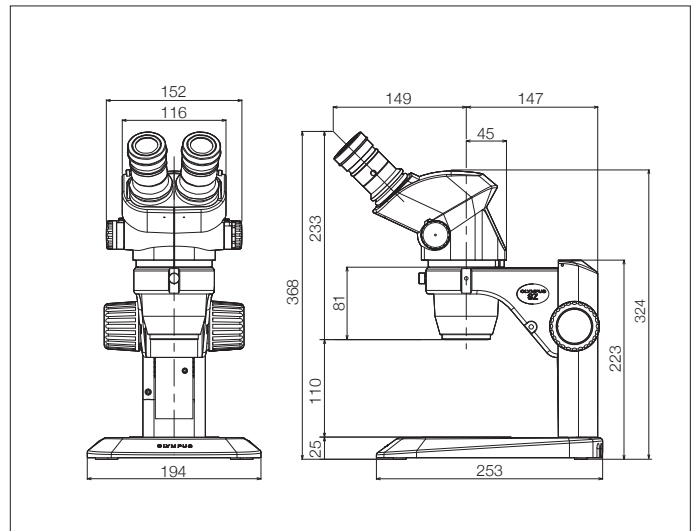
SZX7 standard set dimensions

(unit: mm)



SZ61/ SZ51 standard set dimensions

(unit: mm)



- OLYMPUS CORPORATION is ISO14001 certified.
- OLYMPUS CORPORATION is FM553994/ISO9001 certified.
- OLYMPUS CORPORATION is MD540624/ISO13485 certified.
- Illumination devices for microscope have suggested lifetimes. Periodic inspections are required. Please visit our website for details.

- All company and product names are registered trademarks and/or trademarks of their respective owners.
- Specifications and appearances are subject to change without any notice or obligation on the part of the manufacturer.

www.olympus-lifescience.com

OLYMPUS[®]

OLYMPUS CORPORATION
Shinjuku Monolith, 2-3-1 Nishi-Shinjuku, Shinjuku-ku, Tokyo 163-0914, Japan